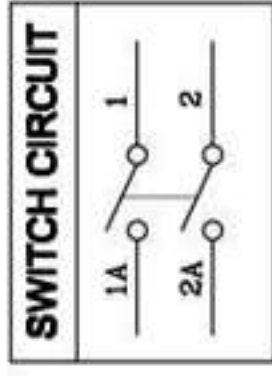
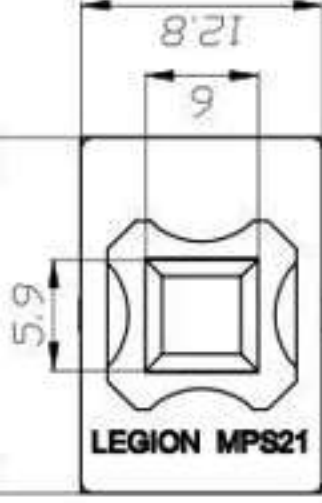
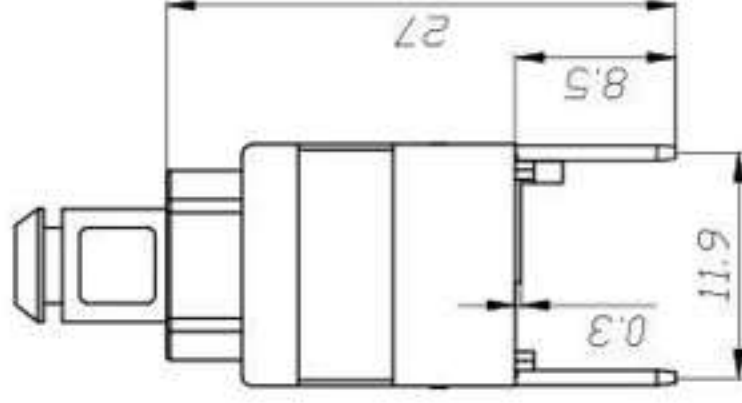
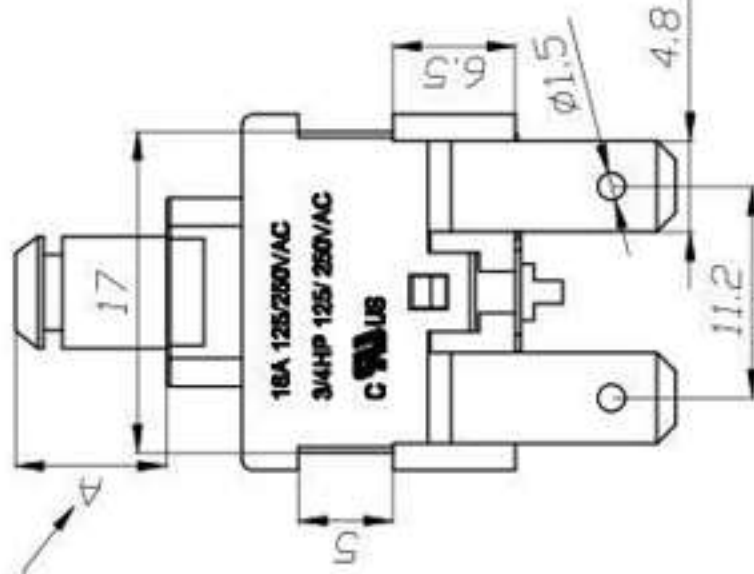


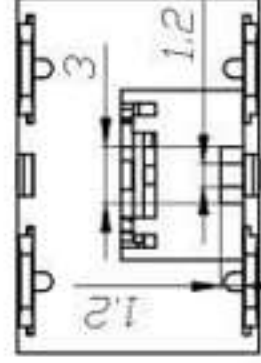
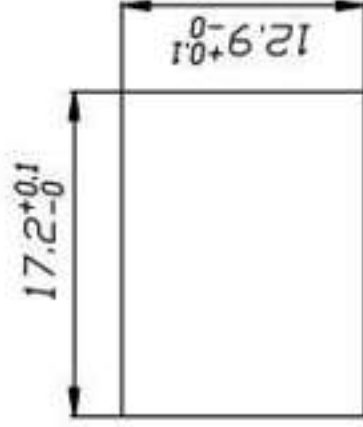
JSH SWITCH MODEL NO. MPS21
QUICK CONNECTOR TYPE; DOUBLE POLE SINGLE THROW)
MATING: 16A 125/250VAC 3/4HP 125/250VAC(CUL)
16(4)A 250~ T125/55(ENEC17;NEMKO;CQC)
10(6)A 250~ T125/55(5E4)(ENEC17;NEMKO;CQC)



WHEN THE SWITCH IS ON THE "ON" STATE,
 DIMENSION A IS 5.0 mm, AND THE "OFF"
 STATE, DIMENSION A IS 8.0 mm



PANEL CUTOUT DIMENSION:



*** ALL MATERIALS ARE ROHS COMPLIANT**